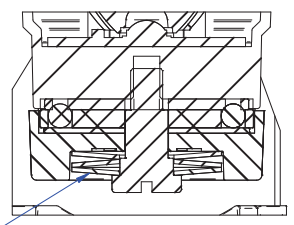
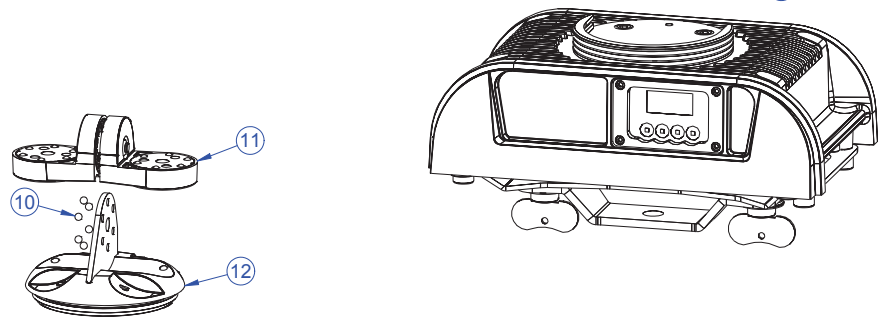
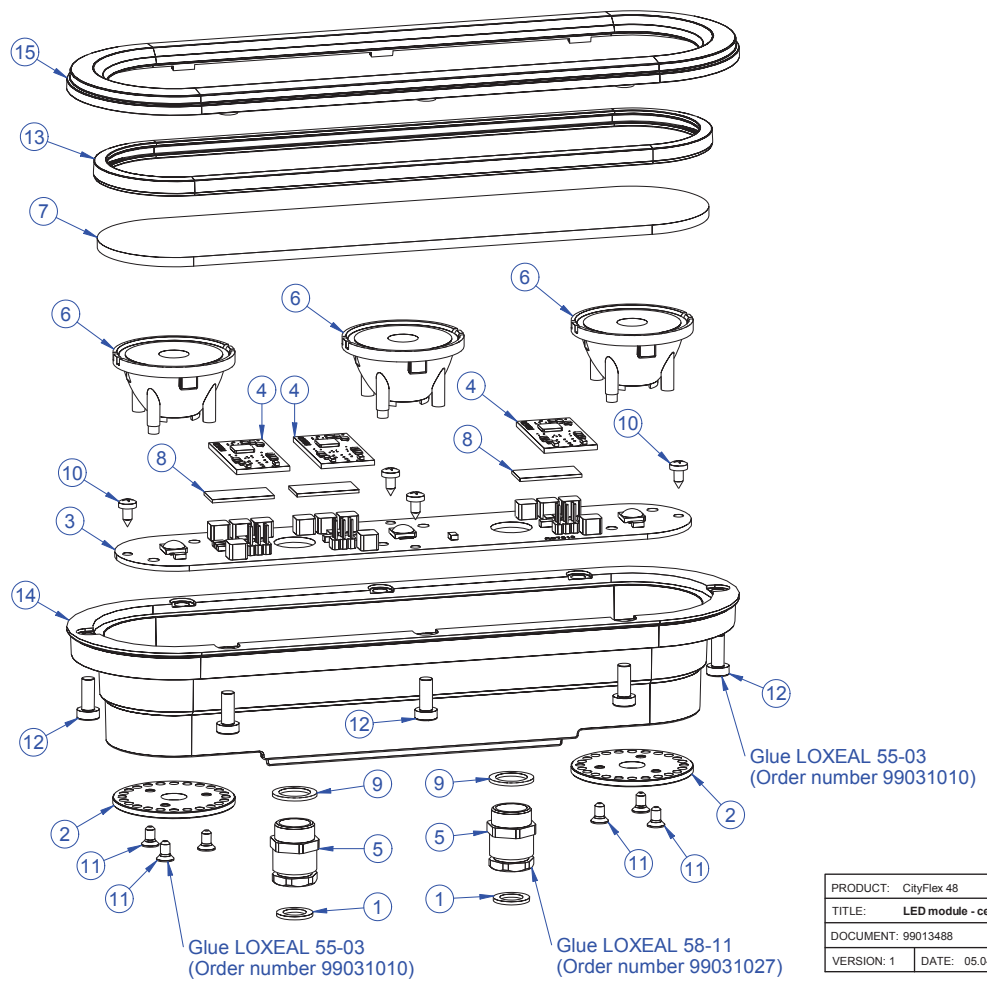


Glue LOCTITE 268 - let 24hrs. dry  
(order number 99031009)

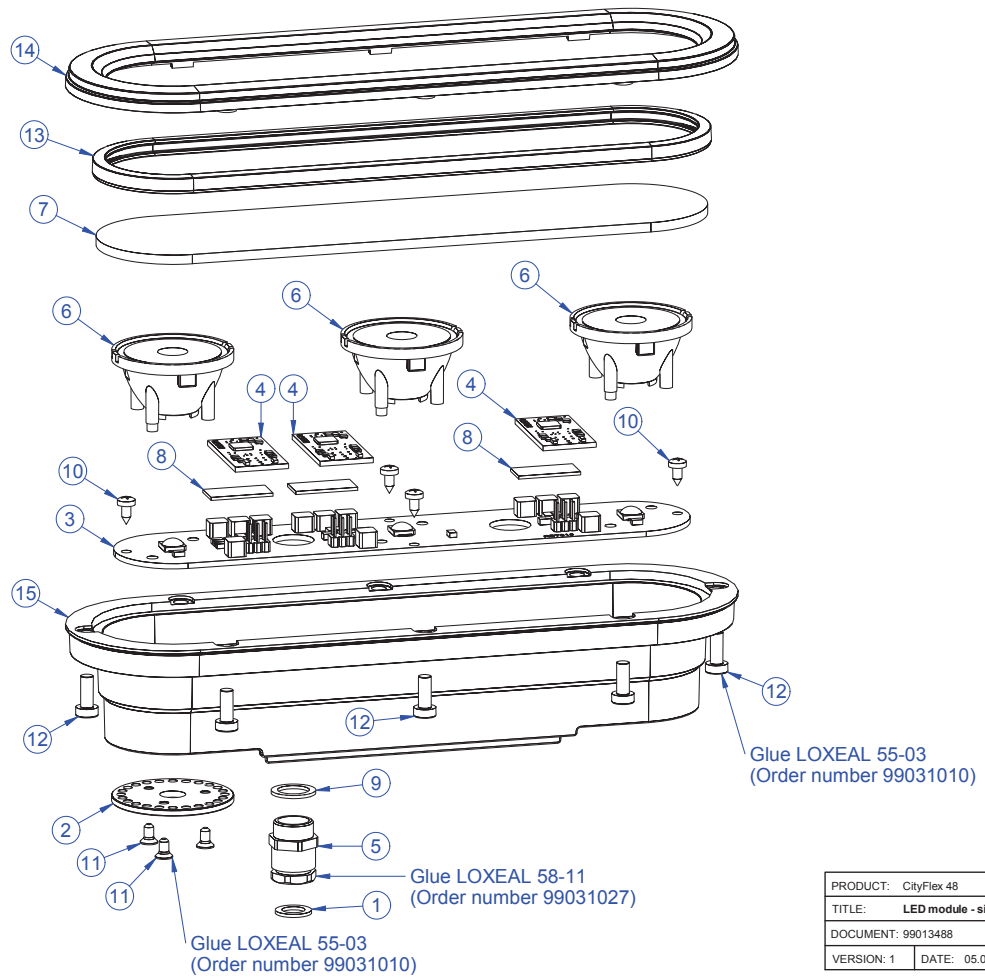


Washers composed according to the detail

|                                |                  |                 |
|--------------------------------|------------------|-----------------|
| PRODUCT: CityFlex 48           |                  |                 |
| TITLE: Gripping of LED modules |                  |                 |
| DOCUMENT: 99513488             |                  |                 |
| VERSION: 1                     | DATE: 05.04.2013 | SHEET: 01 OF 06 |



|                             |                  |                 |
|-----------------------------|------------------|-----------------|
| PRODUCT: CityFlex 48        |                  |                 |
| TITLE: LED module - central |                  |                 |
| DOCUMENT: 99013488          |                  |                 |
| VERSION: 1                  | DATE: 05.04.2013 | SHEET: 02 OF 06 |

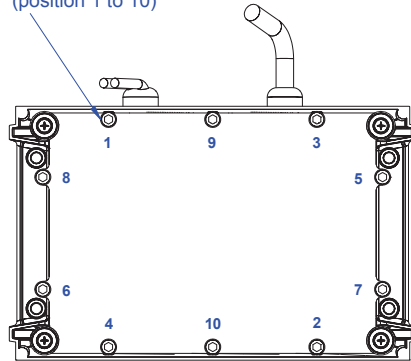
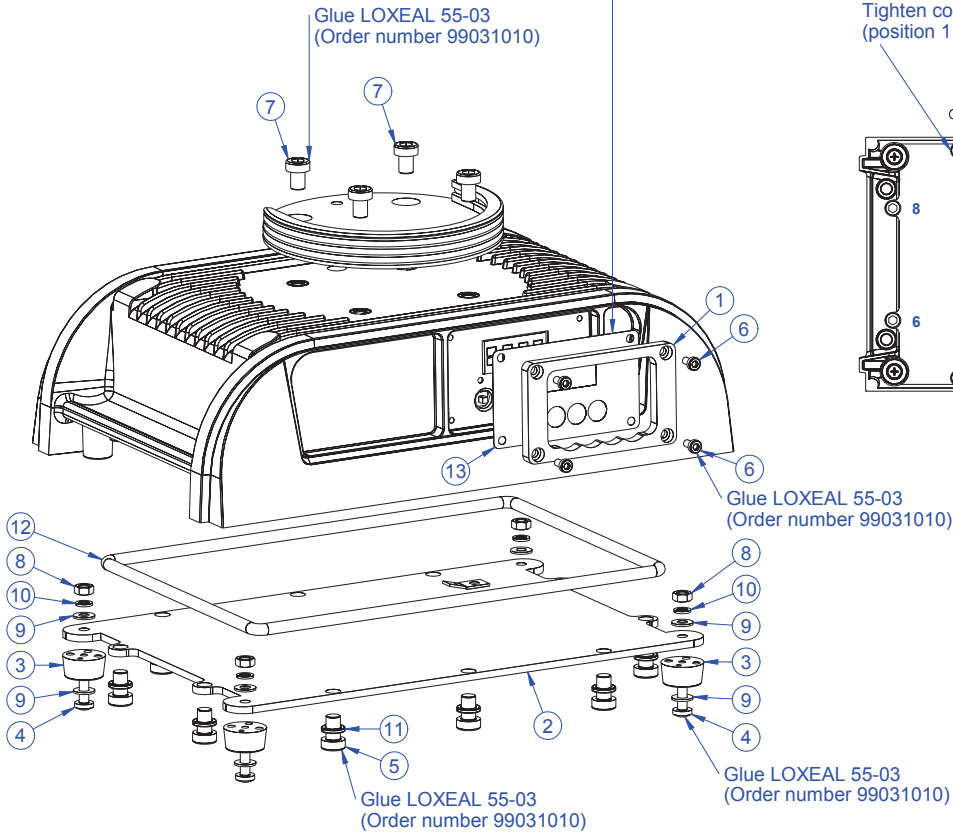


|                          |                  |                 |
|--------------------------|------------------|-----------------|
| PRODUCT: CityFlex 48     |                  |                 |
| TITLE: LED module - side |                  |                 |
| DOCUMENT: 99013488       |                  |                 |
| VERSION: 1               | DATE: 05.04.2013 | SHEET: 03 OF 06 |

Use a Technobond (black) to watertight the foil of display (position 13) to the cast material base.  
 When the foil is glued start applying a thin coat of the Technobond around the edges of the foil.  
 Than you can stick the frame of display (position 1).

Glue LOXEAL 55-03  
 (Order number 99031010)

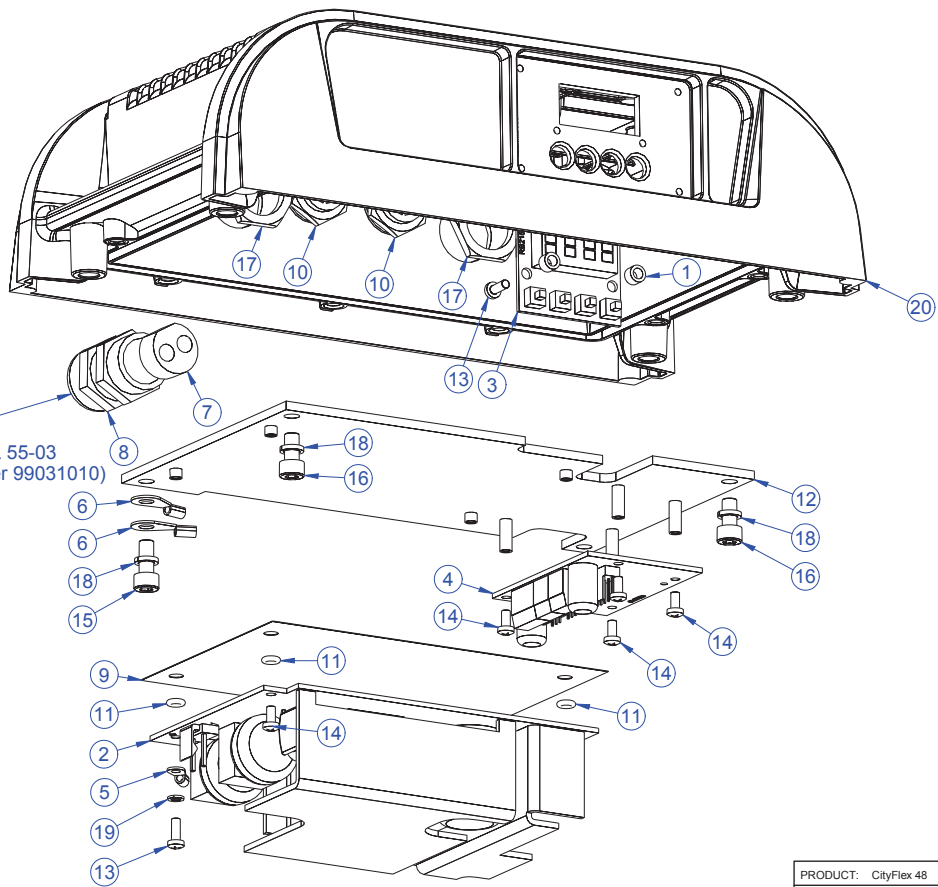
Tighten cover screws gradually in the order indicated in the drawing  
 (position 1 to 10)



|                         |                  |                 |
|-------------------------|------------------|-----------------|
| PRODUCT: CityFlex 48    |                  |                 |
| TITLE: Covering of base |                  |                 |
| DOCUMENT: 99513489      |                  |                 |
| VERSION: 1              | DATE: 05.04.2013 | SHEET: 04 OF 06 |

Glue LOXEAL 55-03  
(Order number 99031010)

Glue LOXEAL 55-03  
(Order number 99031010)



|                               |                  |                 |
|-------------------------------|------------------|-----------------|
| PRODUCT: CityFlex 48          |                  |                 |
| TITLE: Holder of power supply |                  |                 |
| DOCUMENT: 99513489            |                  |                 |
| VERSION: 1                    | DATE: 05.04.2013 | SHEET: 05 OF 06 |

